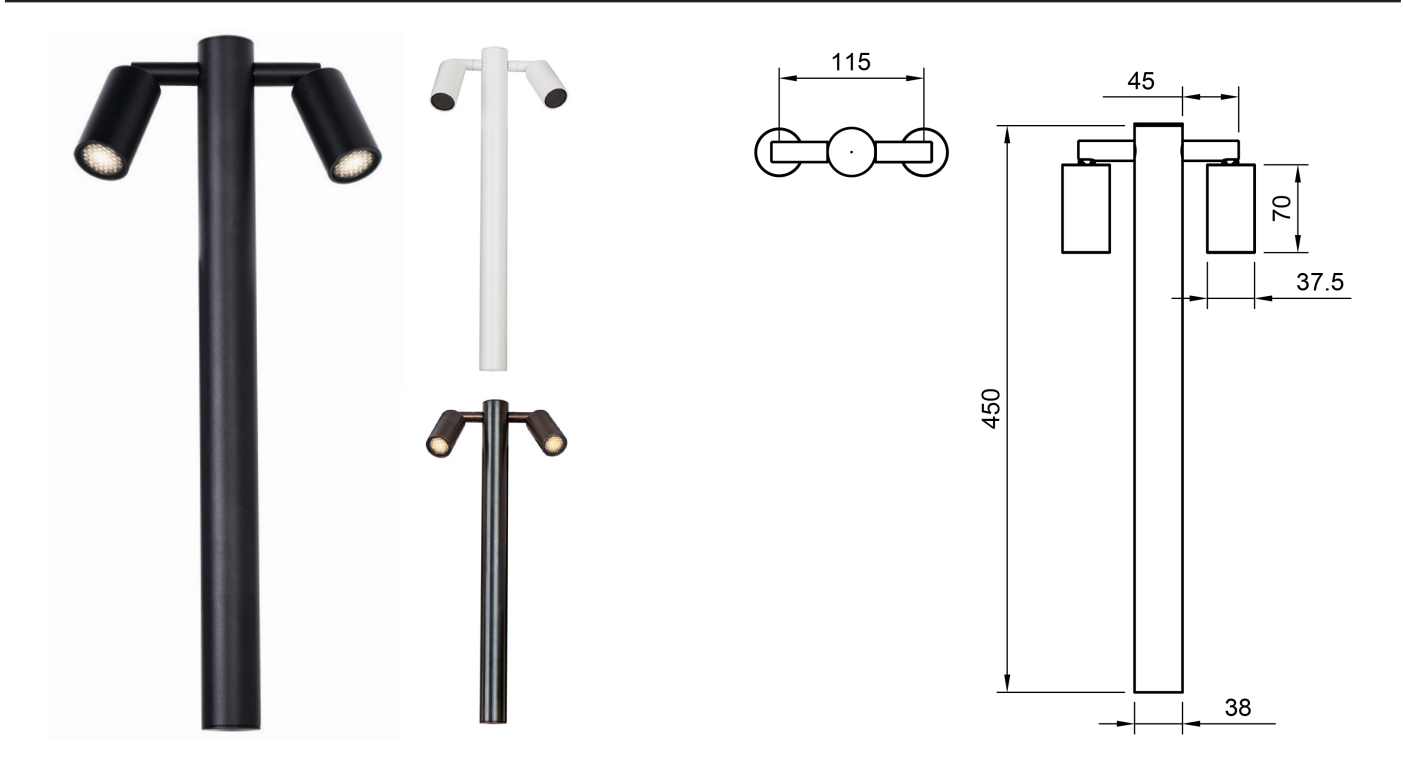


Description:

Belonging to the Twiggy family, the Twiggy Bollard Double is a double directional spotlight with single pole mounting supplied with a CREE XLamp XP-G3. Available in various colour temperatures, beam angles and finishes. IP65, Borosilicate Glass Lens, pre-fitted Honey Comb Baffle, pre-fitted 500mm lead.



Technical:

LED TYPE	CREE XLAMP XP-G3	CONTROL GEAR	REMOTE
RATED POWER	2x 1W or 3W	DIMMING PROTOCOL	DALI - 0-10V - PHASE DIM - ON/OFF
CRI	80	CABLE LENGTH	500MM STANDARD LENGTH
BEAM ANGLES	NOMINATED IN TABLE BELOW	MOUNTING OPTIONS	SPIKE (FLOOR MOUNT ON REQUEST)
INPUT POWER / FORWARD VOLTAGE	24V	WEIGHT	ON REQUEST
NOMINAL LUMENS	2x 155lm or 285lm	HARDWARE	GLASS LENS, CABLE
IP RATING	IP65	CONSTRUCTION	MACHINED METAL
COLOUR TEMPERATURE	2700K - 3000K - 4000K	WARRANTY	2 YEARS

Product Generator: example 1603CV-AB-M-30-SP-1W-ON/OFF-N/A

Model	Finish	Beam Angle	CCT	Mounting	Wattage	Dimming	Accessory
NL1603CV	AB Aged Brass	N Narrow 10°	27 2700K	SP Spike	2W / 24V	On/Off*	N/A
	BR Brushed Brass	M Medium 21°	30 3000K	F Floor (on request)	6W / 24V		
	PB Black	W Wide 33°	40 4000K				
	PW White						
	CC Custom						

*Dimming available on request

NL1603	-		-		-		-	
--------	---	--	---	--	---	--	---	--