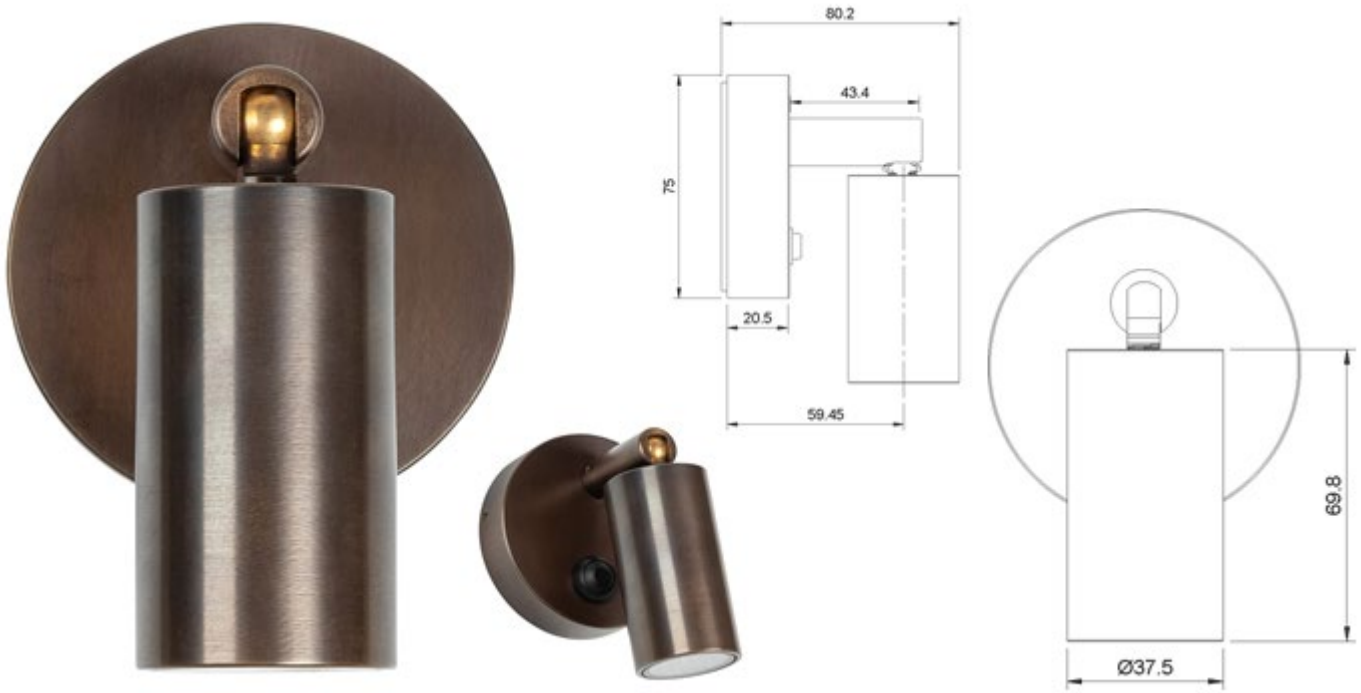


Description:

Decorative wall light available in 1W or 3W, various colour temperatures and beam angles, IP20 finished in Aged Brass with diffuser lens. Double sealed with Nitrile O-rings and pre-fitted with 300 mm double insulated cable.



Technical:

LED type	XP-G3	Control gear	Remote
Rated power	1W or 3W	Dimming protocols	Dali, 0-10V, Phase Dim, On/Off
CRI	80	Cable length	300 mm
Beam angles	Nominated in table below	Mounting options	Surface
Input power	350 mA or 700mA @ 2.73 V	Weight	0.7 kg
Nominal lumens	155lm or 285lm	Hardware	Lens, O-ring, Gland, Cable.
IP rating	IP20	Construction	Machined metal, heatsink
Colour temperature	2700K – 3000K – 4000K	Warranty	Two years

Product Generator: example NL-1921-AB-D-30-W-5W-4-N/A

Model	Finish	Beam Angle	CCT	Mounting	Wattage	Dimming	Accessories
NL-1921	AB Aged brass	D Diffused	27 2700K	W Wall	1W / 350mA	1 Dali	N/A
	BR Brushed brass		30 3000K		3W / 700mA	2 0-10V	
	PB Black		40 4000K			3 Phase	
	PW White					4 On/Off	
	CC Custom						

Order Code

NL-1921		D		W			N/A
---------	--	---	--	---	--	--	-----