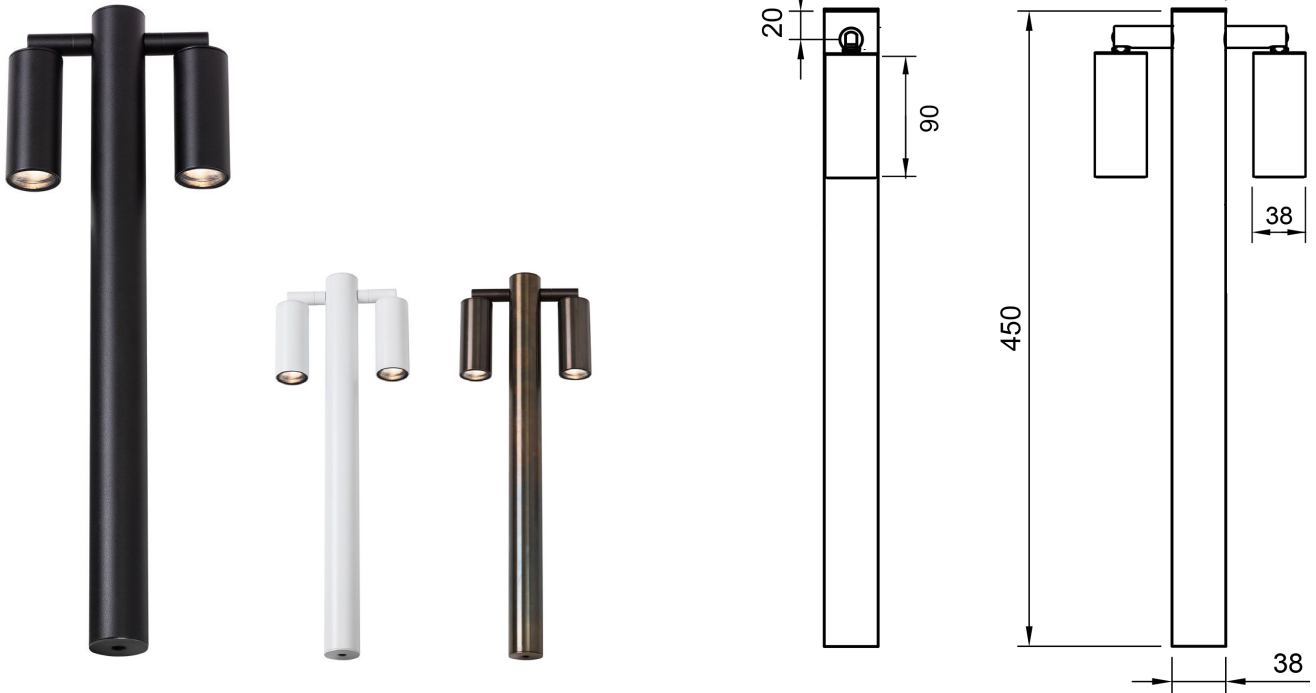


Description:

Belonging to the Firefly Family range, the Firefly Micro Bollard Double offers a simple, clean aesthetic available in various colour temperatures, optics, finishes and control options. The Firefly Family offers a variety of products suitable for various applications. The products contain the same LED chip and optics for a consistent approach. Supplied with cable gland and double insulated cable. The Firefly Family also consists of a Micro, XL and Deco range creating a full suite of products.



Technical:

LED TYPE	XHP-50 Gen 2	CONTROL GEAR	REMOTE
RATED POWER	2x 4W - 6W	DIMMING PROTOCOL	DALI - 0-10V - PHASE DIM - ON/OFF
CRI	80	CABLE LENGTH	500MM STANDARD LENGTH
BEAM ANGLES	NOMINATED IN TABLE BELOW	MOUNTING OPTIONS	SPIKE (FLOOR MOUNT ON REQUEST)
INPUT POWER	NOMINATED IN TABLE BELOW	WEIGHT	ON REQUEST
NOMINAL LUMENS	2x 300lm - 476lm	HARDWARE	GLASS LENS, O-RING, GLAND, CABLE
IP RATING	IP65	CONSTRUCTION	MACHINED METAL & HEATSINK
COLOUR TEMPERATURE	2700K - 3000K - 4000K	WARRANTY	2 YEARS

Product Generator: example 7020CC-PB-M-30-SP-4W-DALI-HC

Model	Finish	Beam Angle	CCT	Mounting	Wattage	Dimming	Accessory
NL7020CC	AB Aged Brass	N Narrow 10°	27 2700K	SP Spike	4W / 350mA	DALI	HC Honeycomb Louver
	BR Brushed Brass	M Medium 21°	30 3000K	F Floor (on req)	6W / 700mA	0-10V	DL Diffuser Lens
	PB Black	W Wide 33°	40 4000K			Phase	
	PW White	E Elliptical 26°x41°				On/Off	
	CC Custom						
NL7020CV	AB Aged Brass	N Narrow 10°	27 2700K	SP Spike	4W / 24V DC	On/Off	HC Honeycomb Louver
	BR Brushed Brass	M Medium 21°	30 3000K	F Floor (on req)	6W / 24V DC		DL Diffuser Lens
	PB Black	W Wide 33°	40 4000K				
	PW White	E Elliptical 26°x41°					
	CC Custom						

-	-	-	-	-	-	-	-
---	---	---	---	---	---	---	---