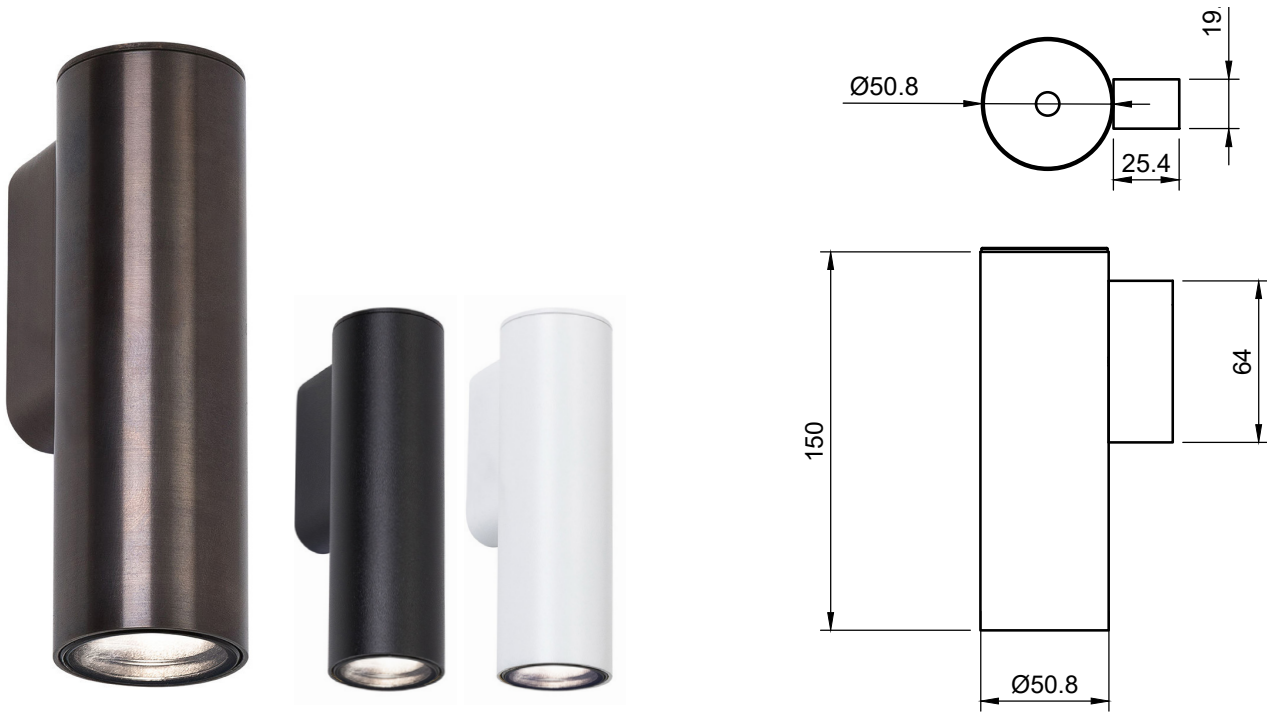


Description:

Belonging to the **Firefly Family** range, the Firefly Fixed Down offers a simple, clean aesthetic available in various colour temperatures, optics, finishes and control options. The Firefly Family offers a variety of products suitable for various applications. The products contain the same LED chip and optics for a consistent approach. Supplied with cable gland and double insulated cable. The Firefly Family also consists of a **Micro**, **XL** and **Deco** range creating a full suite of products.



Technical:

LED TYPE	XHP-50 Gen 2	CONTROL GEAR	REMOTE
RATED POWER	4W - 6W - 9W	DIMMING PROTOCOL	DALI - 0-10V - PHASE DIM - ON/OFF
CRI	80	CABLE LENGTH	500MM STANDARD LENGTH
BEAM ANGLES	NOMINATED IN TABLE BELOW	MOUNTING OPTIONS	SURFACE MOUNTED
INPUT POWER	6V / NOMINATED IN TABLE BELOW	WEIGHT	ON REQUEST
NOMINAL LUMENS	300lm - 476lm - 780lm	HARDWARE	GLASS LENS, O-RING, GLAND, CABLE
IP RATING	IP65	CONSTRUCTION	MACHINED METAL & HEATSINK
COLOUR TEMPERATURE	2700K - 3000K - 4000K	WARRANTY	2 YEARS

Product Generator: example 7007CC-PB-M-30-W-4W-DALI-HC

Model	Finish	Beam Angle	CCT	Mounting	Wattage	Dimming	Accessory
NL7007CC	AB Aged Brass	N Narrow 10°	27 2700K	W Wall Mounted	4W / 350mA	DALI	HC Honeycomb Louver
	BR Brushed Brass	M Medium 21°	30 3000K		6W / 700mA	0-10V	DL Diffuser Lens
	PB Black	W Wide 33°	40 4000K		9W /1050mA	Phase	
	PW White	E Elliptical 26°x41°				On/Off	
	CC Custom						
NL7007CV	AB Aged Brass	N Narrow 10°	27 2700K	W Wall Mounted	4W / 24V DC	On/Off	HC Honeycomb Louver
	BR Brushed Brass	M Medium 21°	30 3000K		6W / 24V DC		DL Diffuser Lens
	PB Black	W Wide 33°	40 4000K		9W / 24V DC		
	PW White	E Elliptical 26°x41°					
	CC Custom						

-	-	-	-	-	-	-	-
---	---	---	---	---	---	---	---