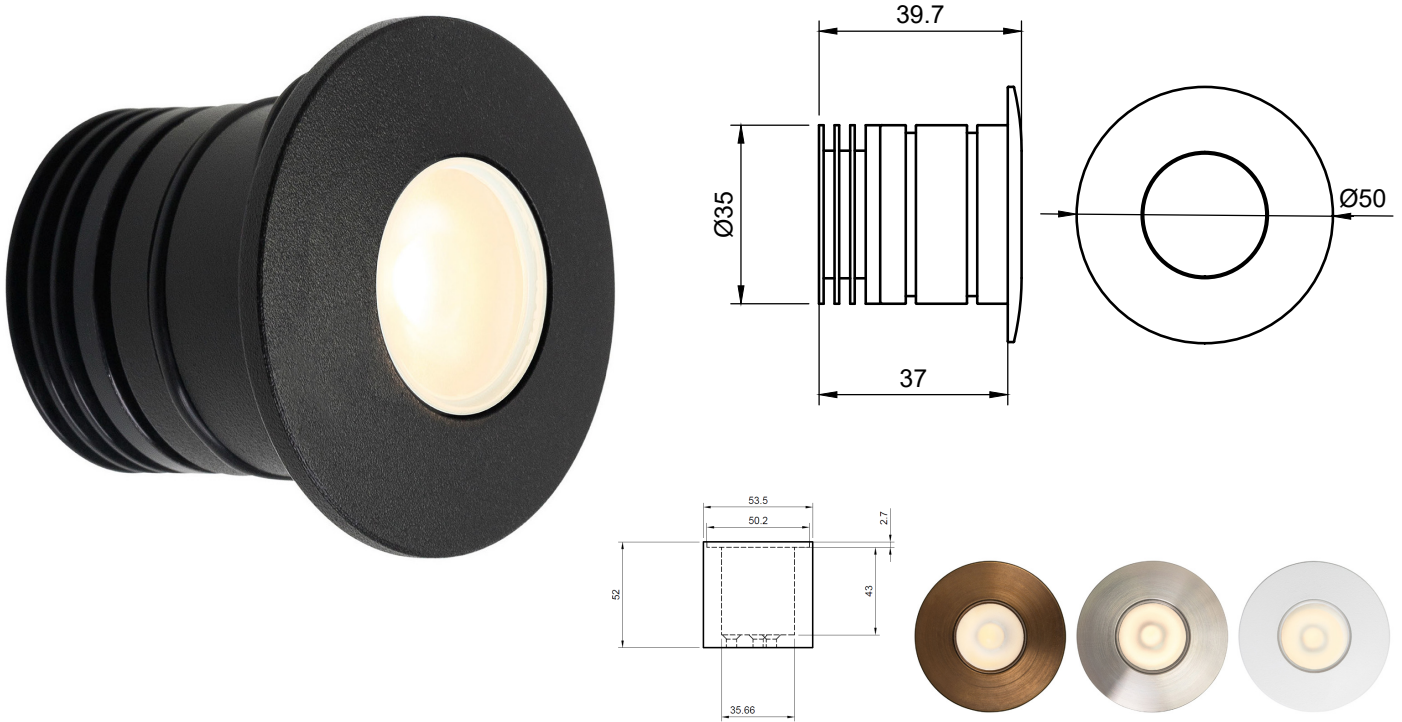


Description:

Recessed wall light, 1Watt or 3Watt, Available in various colour temperatures fitted with Cree XP-G3, IP44/IP65, Machined Face in 316 Stainless Steel or Solid Brass and fixed to Machined 6061 Aluminium Heat sink. Fitted with Borosilicate Glass lens, Double sealed using Nitrile O-Rings, Brass Cable gland and pre-fitted 500mm exterior rated power cable. Optional recess or surface mounting sleeve accessories available separately. Cutout 35mm for internal plasterboard. External IP applications require sleeve.



Technical:

LED TYPE	CREE XLAMP XP-G3	CONTROL GEAR	REMOTE
RATED POWER	1W / 3W	DIMMING PROTOCOL	DALI - 0-10V - PHASE DIM - ON/OFF
CRI	80	CABLE LENGTH	500MM STANDARD LENGTH
BEAM ANGLES	NOMINATED IN TABLE BELOW	MOUNTING OPTIONS	RECESSED / SLEEVE RECESSED FOR IP65
INPUT POWER / FORWARD VOLTAGE	350mA / 700mA - 3V	WEIGHT	0.5KG
NOMINAL LUMENS	155lm / 285lm	HARDWARE	GLASS LENS, O-RING, GLAND, CABLE
IP RATING	IP44 STANDARD / IP65 SLEEVE	CONSTRUCTION	MACHINED METAL & HEATSINK
COLOUR TEMPERATURE	2700K - 3000K - 4000K	WARRANTY	2 YEARS

Product Generator: example 1528-AB-M-30-R-3W-DALI-HC

Model	Finish	Beam Angle	CCT	Mounting	Wattage	Dimming	Accessory
NL1528	AB Aged Brass	N Narrow 10°	27 2700K	R Recessed	1W / 350mA	DALI	HC Honeycomb Louver
	BR Brushed Brass	M Medium 21°	30 3000K		3W / 700mA	0-10V	RS IP Recessing Sleeve
	SS Stainless Steel	W Wide 33°	40 4000K			Phase	
	PB Black	E Elliptical 47° x 9°				On/Off	
	PW White						
	CC Custom						

NL1528	-	-	-	-	-	-	-
--------	---	---	---	---	---	---	---