

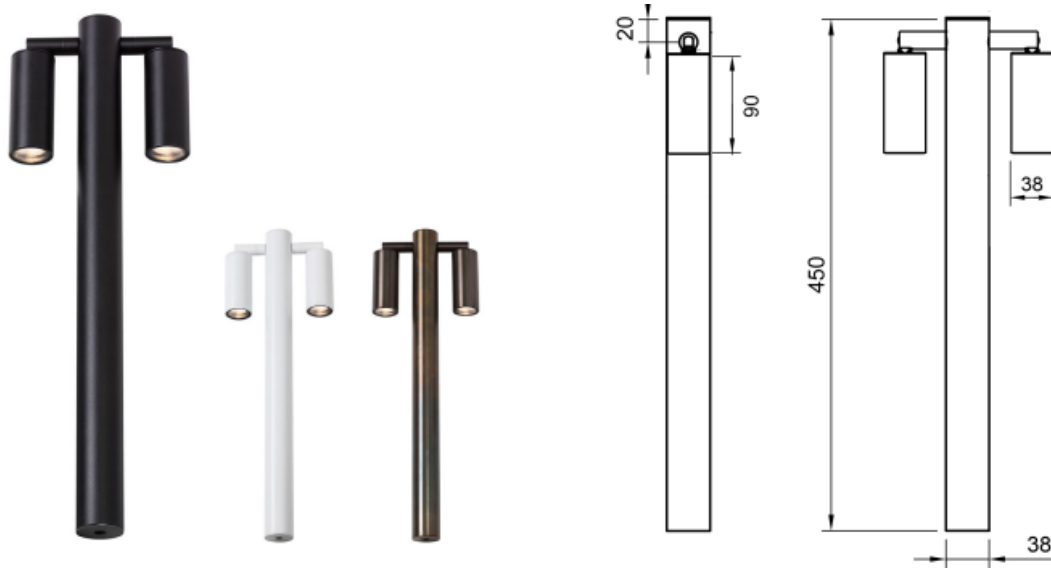
# FIREFLY MICRO

## BOLLARD DOUBLE

Data Sheet

### Description:

Architectural, a member of the Firefly family, Firefly Micro Bollard Double offers a simple clean aesthetic available in various colour temperatures, optics, finishes and control options. Firefly Micro Bollard Double shares the technical features of the remainder of the Firefly family ensuring consistent illumination whilst being controllable for the desired ambiance. A luminaire which provides sought after energy efficiency and product longevity.



### Technical:

|                             |                               |                   |                                |
|-----------------------------|-------------------------------|-------------------|--------------------------------|
| LED type                    | XHP-50 Gen 2                  | Control gear      | Remote                         |
| Rated power                 | 2 x 4W or 6W                  | Dimming protocols | Dali, 0-10V, Phase Dim, On/Off |
| CRI                         | 80                            | Cable length      | 300 mm                         |
| Beam angles                 | Nominated in table below      | Mounting options  | Spike (Floor mount on request) |
| Input power/Forward voltage | 6V / Nominated in table below | Weight            | On request                     |
| Nominal lumens              | 2 x 300lm or 476lm            | Hardware          | Glass lens, Gland, Cable       |
| IP rating                   | IP65                          | Construction      | Machined metal, heatsink       |
| Colour temperature          | 2700K – 3000K – 4000K         | Warranty          | Two years                      |

### Product Generator: example NL-7020-BR-M-40-SP-4W-2-HC

| Model            | Finish           | Beam Angle            | CCT      | Mounting         | Wattage   | Dimming   | Accessories         |
|------------------|------------------|-----------------------|----------|------------------|-----------|-----------|---------------------|
| <b>NL-7020CC</b> | AB Aged brass    | N Narrow 10°          | 27 2700K | SP Spike         | 4W/350mA  | 1 Dali    | HC Honeycomb louver |
|                  | BR Brushed brass | M Medium 21°          | 30 3000K | F Floor (On req) | 6W/700mA  | 2 0-10V   | DL Diffuser lens    |
|                  | PB Black         | W Wide 33°            | 40 4000K |                  |           | 3 Phase   |                     |
|                  | PW White         | E Elliptical 26 x 41° |          |                  |           | 4 On/Off  |                     |
|                  | CC Custom        |                       |          |                  |           |           |                     |
| <b>NL-7020CV</b> | AB Aged brass    | N Narrow 10°          | 27 2700K | SP Spike         | 4W/24V DC | 1. On-Off | HC Honeycomb louver |
|                  | BR Brushed brass | M Medium 21°          | 30 3000K | F Floor (On req) | 6W/24V DC |           | DL Diffuser lens    |
|                  | PB Black         | W Wide 33°            | 40 4000K |                  |           |           |                     |
|                  | PW White         | E Elliptical 26 x 41° |          |                  |           |           |                     |
|                  | CC Custom        |                       |          |                  |           |           |                     |

### Order Code

|           |  |  |  |  |  |  |  |
|-----------|--|--|--|--|--|--|--|
| NL-7020__ |  |  |  |  |  |  |  |
|-----------|--|--|--|--|--|--|--|