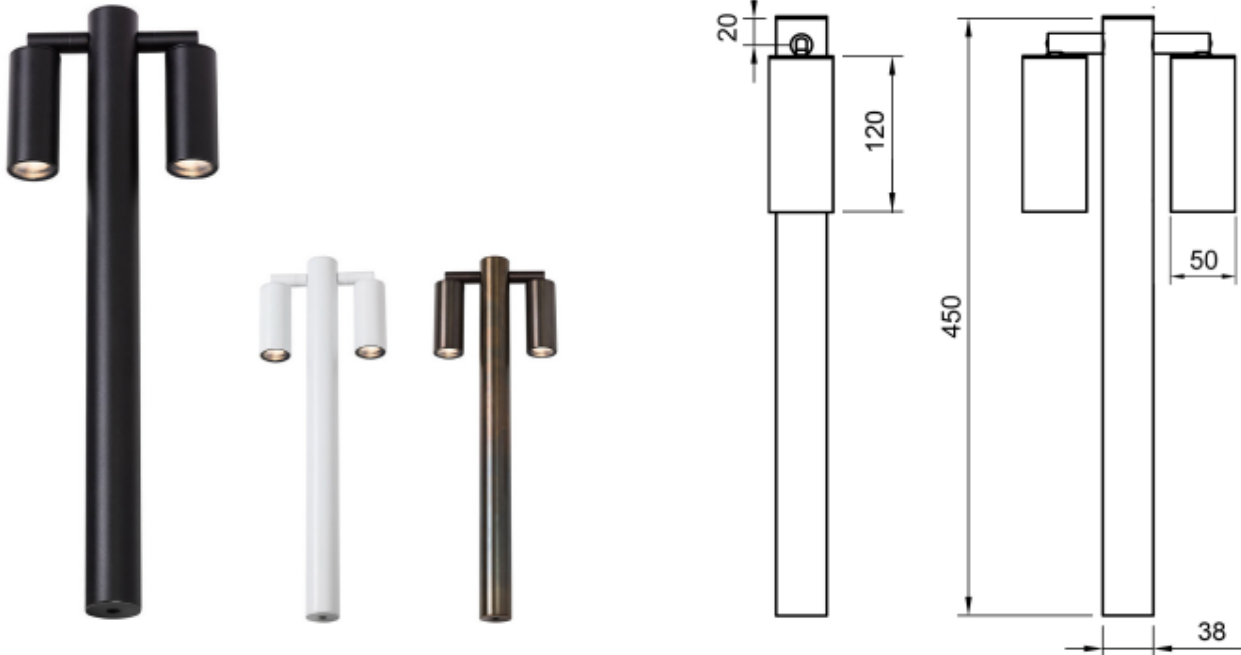


Description:

Architectural, a member of the Firefly family, Firefly Bollard Double offers a simple clean aesthetic available in various colour temperatures, optics, finishes and control options. Firefly Bollard Double shares the technical features of the remainder of the Firefly family ensuring consistent illumination whilst being controllable for the desired ambiance. A luminaire which provides sought after energy efficiency and product longevity.



Technical:

LED type	XHP-50 Gen 2	Control gear	Remote
Rated power	2 x 4W - 6W – 9W	Dimming protocols	Dali, 0-10V, Phase Dim, On/Off
CRI	80	Cable length	300 mm
Beam angles	Nominated in table below	Mounting options	SP Spike (Floor on request)
Input power/Forward voltage	6V / Nominated in table below	Weight	On request
Nominal lumens	2 x 300lm - 476lm – 780lm	Hardware	Glass lens, Gland, Cable
IP rating	IP65	Construction	Machined metal, heatsink
Colour temperature	2700K – 3000K – 4000K	Warranty	Two years

Product Generator: example NL-7010-PW-W-27-SP-9W-3-DL

Model	Finish	Beam Angle	CCT	Mounting	Wattage	Dimming	Accessories
NL-7010CC	AB Aged brass	N Narrow 10°	27 2700K	SP Spike	4W/350mA	1 Dali	HC Honeycomb louver
	BR Brushed brass	M Medium 21°	30 3000K	F Floor (On req)	6W/700mA	2 0-10V	DL Diffuser lens
	PB Black	W Wide 33°	40 4000K		9W/1050mA	3 Phase	
	PW White	E Elliptical 26 x 41°				4 On/Off	
	CC Custom						
NL-7010CV	AB Aged brass	N Narrow 10°	27 2700K	SP Spike	4W/350mA	1 0-10V	HC Honeycomb louver
	BR Brushed brass	M Medium 21°	30 3000K	F Floor (On req)	6W/700mA	2 On/Off	DL Diffuser lens
	PB Black	W Wide 33°	40 4000K		9W/1050mA		
	PW White	E Elliptical 26 x 41°					
	CC Custom						

Order Code

NL-7010__							
-----------	--	--	--	--	--	--	--